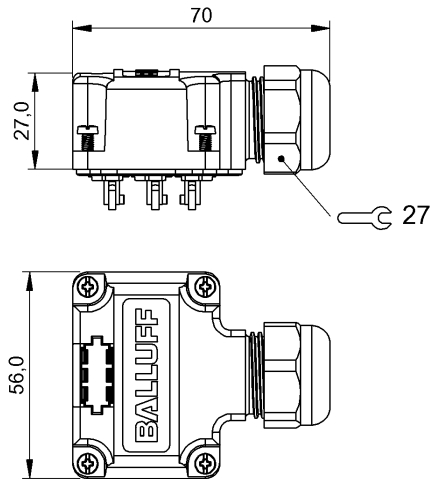


Junction blocks
BPI T0SN-K-00
Order Code: BPI00K4

BALLUFF



Basic features

Approval/Conformity	CE UKCA WEEE
----------------------------	--------------------

Environmental conditions

IP rating	IP67, when threaded in
------------------	------------------------

Material

Housing material	PBT, GF
-------------------------	---------

Remarks

Enclosure rating per IEC 60529, only in plugged state with the associated base module.
 Suitable for cable diameters from 7 mm up to 10 mm
 Suitable for junction block with hood connection plate

Wiring Diagrams

Anschlusstabelle / terminal diagram

Klemme Nr. Termina No.	M12 Buchse / M12 Socket Steckplatz/Kontakt / Slot/contact	Anschlußleitung Standardfarbe Standard cable colour coding	Kontaktbelegung / Contactassignment
1	1 / 4	WH	<p>Buchse / Socket M12</p> <p>(-) 3 4 (NO/1.Signal) 5 (PE) (NC/2.Signal) 2 1 (+)</p> <p>Klemmen / terminals</p> <p>BR1 BR2</p>
9	1 / 2	GY/PK	
2	2 / 4	GN	
10	2 / 2	RD/BU	
3	3 / 4	YE	
11	3 / 2	WH/GN	
4	4 / 4	GY	
12	4 / 2	BN/GN	
5	5 / 4	PK	
13	5 / 2	WH/YE	
6	6 / 4	RD	
14	6 / 2	YE/BN	
7	7 / 4	BK	
15	7 / 2	WH/GY	
8	8 / 4	VT	
16	8 / 2	GY/BN	
+1	1, 3, 5, 7 / 1 (+)	BN	
+2	2, 4, 6, 8 / 1 (+)	n.c.	
-1	1, 3, 5, 7 / 3 (-)	BU	
-2	2, 4, 6, 8 / 3 (-)	n.c.	
PE	1-8 / 5 (PE)	GN/YE	